

# AUTOMATIC STRAPPING MACHINES



# Transpak Automatic Strapping Machines

## Mercury Series



### TP-702

- High value-added machine
- For 5 mm, 6 mm, 9 mm, or 12 mm PP strapping
- Robust & compact mechanical strapping head
- Turnable control panel with LCD display
- Free access to strap guides (patents registered)
- Waist-high auto strap feeding
- Waist-high quick coil change (patents registered)
- Auto strap ejector
- Capacity up to 65 cycles per minute

### TP-702P

- High value-added machine
- Equipped with **dual pneumatic press**
- For 5 mm, 6 mm, 9 mm, or 12 mm PP strapping
- Robust & compact mechanical strapping head
- Turnable control panel with LCD display
- Free access to strap guides (patents registered)
- Waist-high auto strap feeding
- Waist-high quick coil change (patents registered)
- Auto strap ejector
- Capacity up to 47 cycles per minute

### TP-702RS

- High value-added machine
- Ideal for small or round packages
- For 5 mm, 6 mm, or 9 mm PP strapping
- Robust & compact mechanical strapping head
- Turnable control panel with LCD display
- Free access to strap guides (patents registered)
- Waist-high auto strap feeding
- Waist-high quick coil change (patents registered)
- Auto strap ejector
- Capacity up to 65 cycles per minute



## Tauris Series

## Economy Machine



### TP-601D

- Reliable and robust strapping head
- For 8 mm, 9 mm, or 12 mm PP strapping
- Lubrication free strapping head
- Multiple methods of cycle initiation
- Auto strap feeding
- Electronic tension control
- Auto strap ejector
- Auto strap refeed
- Capacity up to 29 cycles per minute



### TP-601L

- Reliable and robust strapping head
- Low table model for bulky and heavy packages
- For 8 mm, 9 mm, or 12 mm PP strapping
- Lubrication free strapping head
- Multiple methods of cycle initiation
- Auto strap feeding
- Electronic tension control
- Auto strap ejector
- Auto strap refeed
- Capacity up to 29 cycles per minute



### TP-6000

- Affordable choice for every budget
- For 8 mm, 9 mm, 12 mm, or 15.5 mm PP strapping
- Lubrication free strapping head
- External mechanical tension control
- Multiple methods of cycle initiation
- Capacity up to 27 cycles per minute

# Mercury TP-702

## Innovative High Speed Strapping Machine

TP-702 is an innovative world-class high speed automatic strapping machine. It is suitable for 5 mm, 6 mm, 9 mm, or 12 mm PP strapping. Equipping with all industry's standard features and creative user friendly designs, Mercury TP-702 offers the most optimal performance, highest speed, easiest maintenance, and the most cost effective solution in its class.

### TP-702-59



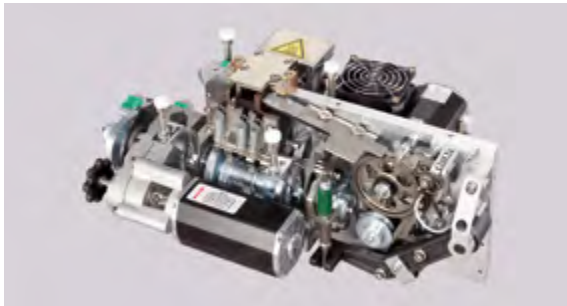
### TP-702-12



**PROVEN**

Over **30,000**  
sets sold

## Main Features



### Robust and Compact Strapping Head

Use the latest brushless DC motor direct drive technology to provide the highest level of accuracy and reliability. All motors are German-made. Without belts, clutches, and pulleys, its compact design greatly minimizes the numbers of moving parts and maintenance cost.



### Free Access to Strap Guides (patents registered)

Hinged top plate makes easy access to the strapping head for quick maintenance. Unblocking the guides enables free and quick access to strap guides without using any tools. The most maintenance friendly design.



### Waist-High Auto Strap Feeding

Friendly design to feed the strap automatically from the upper side of the coil without the need to access to the bottom of the machine.



### Waist-High Quick Coil Change (patents registered)

Innovative waist-high coil change without access to the bottom of the machine. Quick release lock eliminates downtime to change the coil. Ergonomic and quick change design makes coil change simpler than ever.

## More Features

### Sensor Controlled Heater

The fast heating mechanism is sensor controlled assuring consistent and high sealing efficiency.

### Low Voltage

All DC motors and heater are "stepped down" to 24V to increase the safety of the machine.

### Strap End Ejector

Eject the end of strap from the inlet of strap feeding. Easy to clean the end of strap and get the machine ready for next coil of strap.

### Front Foot Bar Switch

Standard front foot bar switch makes machine operation in a very easy way. Ergonomic cycle initiation design and user friendly.

### Dispenser Release Switch

Friendly design makes it easier to pull the strap from the strap dispenser for waist-high auto strap feeding.

### Adjustable Table Height

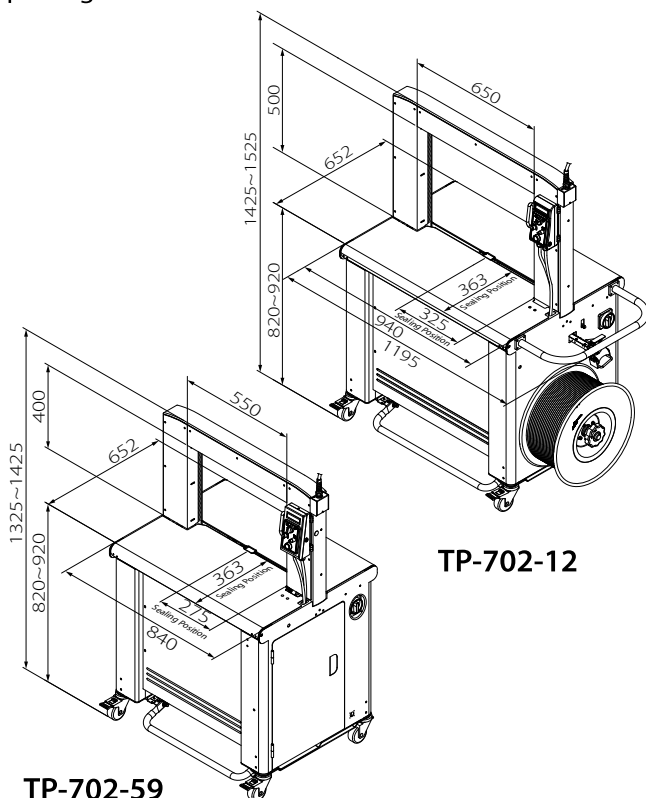
The table height is adjustable to any height between 820 mm and 920 mm.

### Turnable Operating Control Panel

The turnable operating control panel with LCD display is located on upper side of the machine for easy access. It enables machine operation from both front and rear sides. User friendly.

### Auto Strap Ejector

Loop-ejector clears unwanted strap automatically if the machine is accidentally activated without a package.



## Options

- Photo-eye switch
- Rear foot bar switch
- Foot pedal switch
- Lower adjustable table height (770 mm - 820 mm)
- Selected parts in stainless steel
- Stainless steel frame SUS 304 (TP-702S-59, TP-702S-12)

## Arch Sizes

### TP-702-59 (for 5 mm, 6 mm, or 9 mm strap)

H \ W	550	650	850	1050	1250	1650	1850
400	Ⓢ		✓				
500		✓	✓	✓	✓	✓	
600			✓				
800			✓	✓	✓		✓
1000				✓	✓		

Ⓢ Standard size : 550 mm (W) x 400 mm (H)

- ✓ means available arch size

### TP-702-12 (for 12 mm strap)

H \ W	650	850	1050	1250	1650	1850	2050	2250
400		✓						
500	Ⓢ		✓		✓		✓	
600		✓	✓	✓				✓
800		✓	✓	✓		✓		
1000		✓	✓	✓				
1200			✓					

Ⓢ Standard size : 650 mm (W) x 500 mm (H)

- ✓ means available arch size

## Technical Data

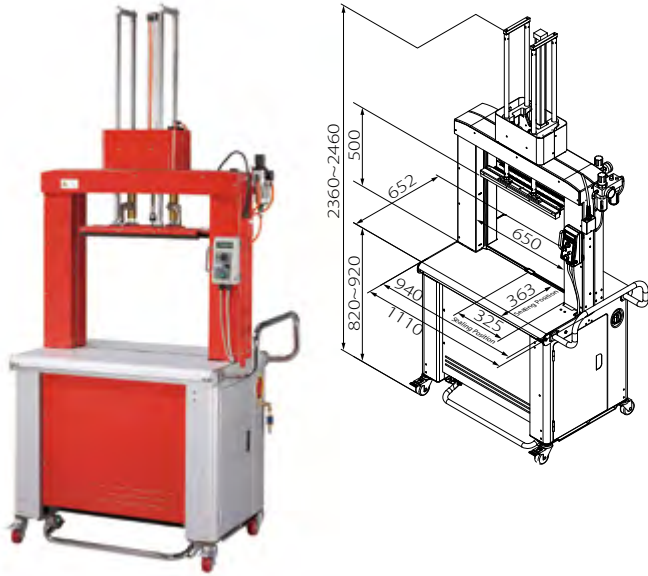
<b>Capacity</b>	Up to 65 cycles/minute (TP-702-59) Up to 60 cycles/minute (TP-702-12)
<b>Strap Width</b>	5 mm, 6 mm, or 9 mm (TP-702-59) 12 mm (TP-702-12)
<b>Tension Range</b>	1 - 32 kg (TP-702-59) 1 - 45 kg (TP-702-12) (Higher tension is on request)
<b>Weight</b>	158 kg (TP-702-59), 167 kg (TP-702-12)
<b>Electrical Requirements</b>	110V, 220V, 230V, 240V 50/60Hz 1PH

# Mercury TP-702P

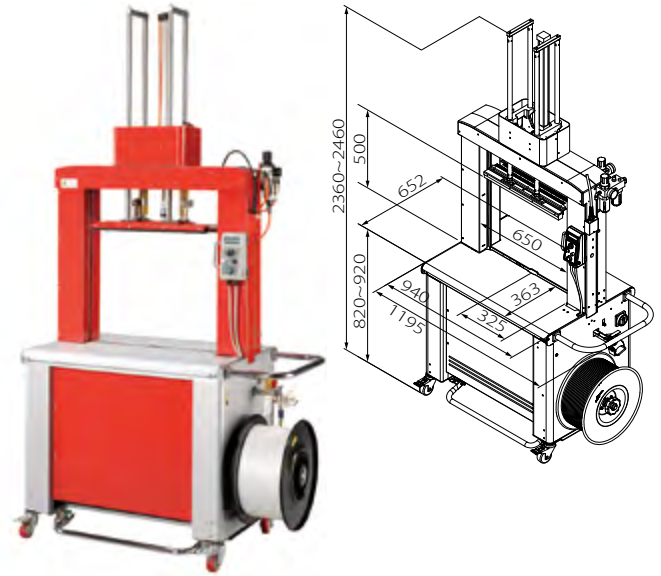
## High Speed Strapping Machine with Dual Pneumatic Press

TP-702P (with dual press) is built based on Mercury TP-702. It carries all the innovative features and user friendly designs of Mercury TP-702. TP-702P is ideal for strapping compressible material such as corrugated papers, paper sheets, corrugated boxes, plastic sheets, bags, etc.

### TP-702P-59



### TP-702P-12



## Main Features

### Robust and Compact Strapping Head

Use the latest brushless DC motor direct drive technology to provide the highest level of accuracy and reliability. All motors are German-made. With compact design and fewer moving parts, it can greatly minimize the maintenance cost.

### Dual Pneumatic Press

Ideal for strapping compressible package for better product stability and containment.

### Free Access to Strap Guides (patents registered)

Unlocking the guides enables free and quick access to strap guides without using any tools. The most maintenance friendly design.

## Options

- Photo-eye switch
- Rear foot bar switch
- Foot pedal switch
- Lower adjustable table height (770 mm - 820 mm)
- Safety guards
- Stainless steel frame SUS 304 (TP-702PS-59, TP-702PS-12)

## Arch Sizes

H \ W	650	850	1050	1250	1650
500	Ⓢ			✓	✓
600		✓			
800			✓	✓	

Ⓢ Standard size: 650 mm (W) x 500 mm (H)

- ✓ means available arch size
- Arch size: 1250 mm (W) x 500 mm (H) is only for TP-702P-59

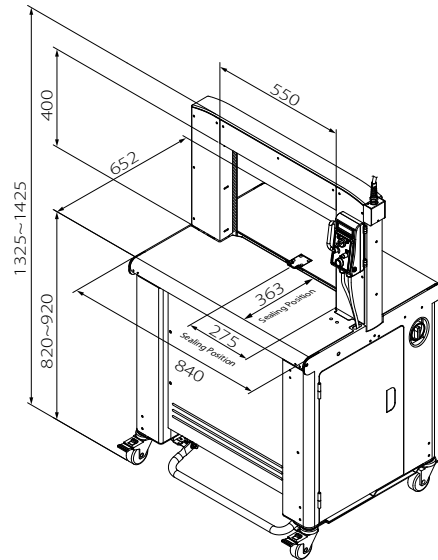
## Technical Data

<b>Capacity</b>	Up to 47 cycles/minute (TP-702P-59) Up to 44 cycles/minute (TP-702P-12)
<b>Strap Width</b>	5 mm, 6 mm, or 9 mm (TP-702P-59) 12 mm (TP-702P-12)
<b>Tension Range</b>	1 - 32 kg (TP-702P-59) 1 - 45 kg (TP-702P-12) (Higher tension is on request)
<b>Weight</b>	224 kg (TP-702P-59) 226 kg (TP-702P-12)
<b>Electrical Requirements</b>	110V, 220V, 230V, 240V 50/60Hz 1PH

# Mercury TP-702RS

## High Speed Strapping Machine for Small or Round Packages

TP-702RS is built based on Mercury TP-702 with special designed parts. It is suitable for small or round packages such as plastic pipes, steel rod, hardwood, etc. It can strap packages as small as 40 mm (W) x 10 mm (H) or round packages as small as  $\varnothing$  32 mm x 2 pcs. TP-702RS provides reliable high speed performance for small or round package applications.



## Main Features

### Robust and Compact Strapping Head

Use the latest brushless DC motor direct drive technology to provide the highest level of accuracy and reliability. All motors are German-made. With compact design and fewer moving parts, it can greatly minimize the maintenance cost.

### Free Access to Strap Guides (patents registered)

Unlocking the guides enables free and quick access to strap guides without using any tools. The most maintenance friendly design.

### Waist-High Quick Coil Change (patents registered)

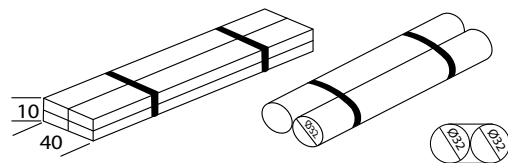
Innovative waist-high coil change without access to the bottom of the machine. Quick release lock eliminates downtime to change the coil. Ergonomic and quick change design makes coil change simpler than ever.

## Options

- Photo-eye switch
- Rear foot bar switch
- Foot pedal switch
- Lower adjustable table height (770 mm - 820 mm)
- Stainless steel frame SUS 304 (TP-702RSS)

## Package Sizes

Package size	Min.	Max.
Strap width		
5/6 mm	<ul style="list-style-type: none"> <li>□ 40 mm (W) x 10 mm (H)</li> <li>○ Pipe <math>\varnothing</math> 32 mm x 2 pcs</li> </ul>	500 mm (W) x 350 mm (H)
9 mm	<ul style="list-style-type: none"> <li>□ 50 mm (W) x 10 mm (H)</li> <li>○ Pipe <math>\varnothing</math> 34 mm x 2 pcs</li> </ul>	



## Technical Data

<b>Capacity</b>	Up to 65 cycles/minute
<b>Strap Width</b>	5 mm, 6 mm, or 9 mm
<b>Arch Size</b>	550 mm (W) x 400 mm (H)
<b>Tension Range</b>	1 - 32 kg
<b>Weight</b>	158 kg
<b>Electrical Requirements</b>	110V, 220V, 230V, 240V 50/60Hz 1PH

# Tauris TP-601D

## Automatic Strapping Machine

TP-601D is an enhanced automatic strapping machine for PP strapping. With the value-added features, Tauris TP-601D is the most powerful machine with the best price to performance ratio in its category for general applications.



## Main Features



### Reliable and Robust Strapping Head

Robust mechanism design and high engineering standard ensure excellent durability of the machine. Use two proximity switches to replace conventional limit switches.



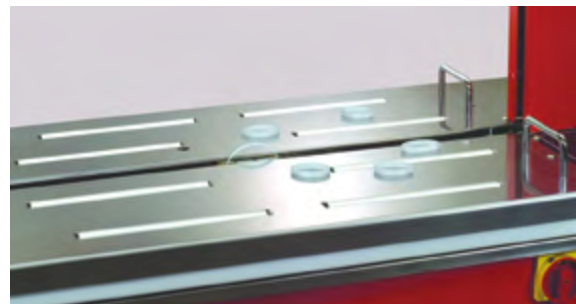
### Electronic Tension Control

Strap tension can be adjusted accurately by a simple turn of the dial. Easy operation.



### Auto Strap Feeding

Friendly design to feed the strap automatically from the inlet of strap feeding without the need to access to the inside of the machine. Easy strap loading.



### Auto Strap Ejector

Loop-ejector clears unwanted strap automatically if the machine is accidentally activated without a package. Eliminates downtime.



## More Features

### Short Feed Sensor

The sensor detects whether the strap is at sealing position. If not, the strapping cycle cannot be activated.

### Auto Strap Refeed

The machine will automatically refeed the strap if a mis-feed occurs.

### Strap End Ejector

Eject the end of strap automatically. Easy to clean the end of strap and get the machine ready for next coil of strap.

### Multiple Methods of Cycle Initiation

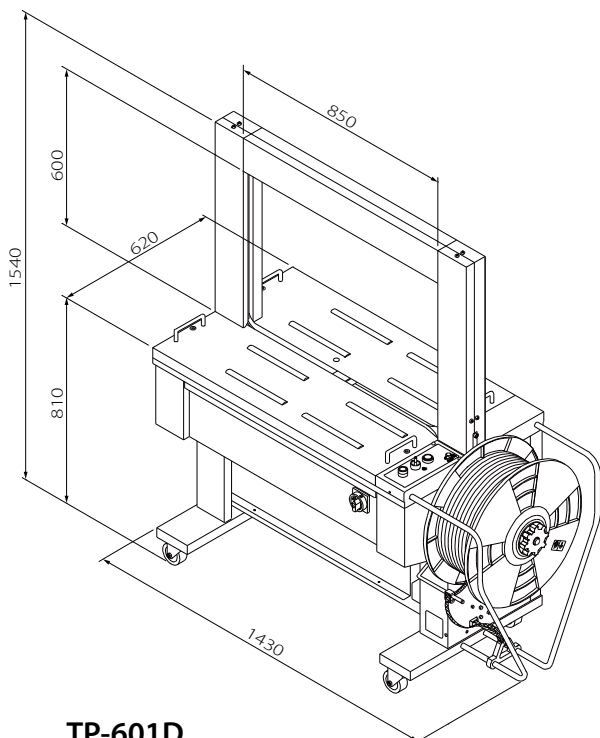
The machine can be operated by several methods, such as foot pedal switch, start switch, and photo-eye switch.

### Lubrication Free Strapping Head

No lubrication is required for the strapping head. Therefore, it minimizes the maintenance and saves the cost. Easy maintenance.

### Adjustable Weld-Cooling Time

Weld-cooling time is adjustable from 0 to 2 seconds. It ensures the high sealing efficiency when the machine is set at high tension. The adjustment is made based on the quality of PP strapping and the heater temperature.



TP-601D

## Options

- Emergency stop switch
- Smoke exhaust system with carbon filter
- Table without free roller
- PU casters
  - Two free and two with brake. Smooth and silent movement.
- Stainless Steel Frame SUS 304 (TP-601DS)
  - The frame is made by SUS 304 stainless steel. TP-601DS provides good protections for the applications in the moist environment. Complete arch can also be made in stainless steel.

## Arch Sizes

H \ W	650	850	1050	1250	1450	1650
400	✓	✓	✓	✓	✓	✓
600	✓	Ⓢ	✓	✓	✓	✓
800		✓	✓	✓	✓	✓
1000		✓	✓	✓	✓	✓
1200		✓	✓	✓	✓	✓

- Ⓢ Standard size: 850 mm (W) x 600 mm (H)
- ✓ means available arch size
  - More arch sizes are on request

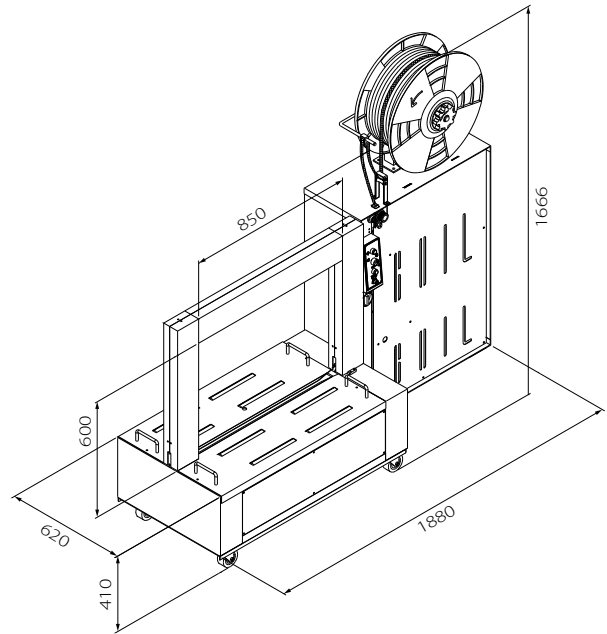
## Technical Data

<b>Capacity</b>	Up to 29 cycles/minute
<b>Strap Width</b>	8 mm, 9 mm, or 12 mm
<b>Tension Range</b>	7 - 45 kg *up to 70 kg on request
<b>Maximum Package Weight</b>	100 kg
<b>Table Height</b>	810 mm
<b>Weight</b>	220 kg
<b>Electrical Requirements</b>	110V, 220V, 230V, 240V 50/60Hz 1PH 220V, 380V, 400V, 415V 50/60Hz 3PH

# Tauris TP-601L

## Low-Table Automatic Strapping Machine

TP-601L is built based on Tauris TP-601D. It is designed to work with bulky and heavy packages. Table height is as low as 410 mm. Safe operation is assured as heavy packages can be strapped easily while keeping lifting effort at a minimum.



## Main Features

### Reliable and Robust Strapping Head

Robust mechanism design and high engineering standard ensure excellent durability of the machine. Use two proximity switches to replace conventional limit switches.

### Electronic Tension Control

Strap tension can be adjusted accurately by a simple turn of the dial. Easy operation.

### Auto Strap Feeding

Friendly design to feed the strap automatically from the inlet of strap feeding without the need to access to the inside of the machine. Easy strap loading.

### Auto Strap Ejector

Loop-ejector clears unwanted strap automatically if the machine is accidentally activated without a package.

### Short Feed Sensor

The sensor detects whether the strap is at sealing position. If not, the strapping cycle cannot be activated.

## Options

- Emergency stop switch
- PU casters (5 free and 2 with brake)

## Arch Sizes

H \ W	650	850	1050	1250	1450	1650
400	✓	✓	✓	✓	✓	✓
600	✓	Ⓢ	✓	✓	✓	✓
800		✓	✓	✓	✓	✓
1000		✓	✓	✓	✓	✓
1200		✓	✓	✓	✓	✓

Ⓢ Standard size: 850 mm (W) x 600 mm (H)

- ✓ means available arch size
- More arch sizes are on request

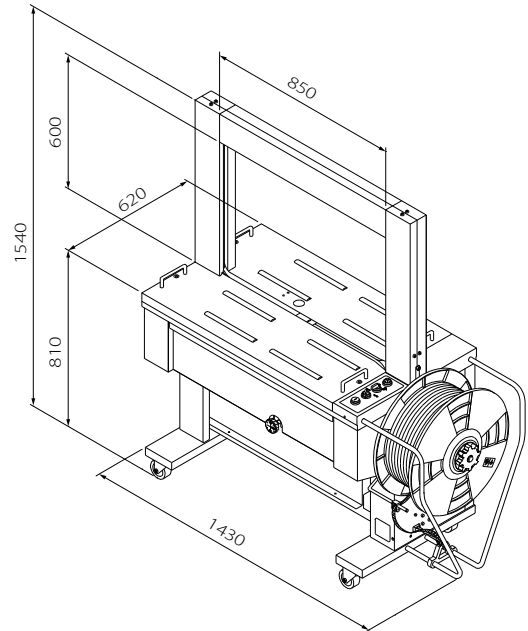
## Technical Data

<b>Capacity</b>	Up to 29 cycles/minute
<b>Strap Width</b>	8 mm, 9 mm, or 12 mm
<b>Tension Range</b>	7 - 45 kg *up to 70 kg on request
<b>Table Height</b>	410 mm
<b>Weight</b>	235 kg
<b>Electrical Requirements</b>	110V, 220V, 230V, 240V 50/60Hz 1PH 220V, 380V, 400V, 415V 50/60Hz 3PH

# Economy Machine TP-6000

## Affordable Choice for Every Budget

TP-6000 is an economy automatic strapping machine for PP strapping. Easy operation and simple maintenance. The proven quality and performance make TP-6000 the most cost effective solution for general applications.



## Main Features

### Lubrication Free Strapping Head

Robust mechanism design and high engineering standard ensure excellent durability of the machine. No lubrication is required for the strapping head. Therefore, it minimizes the maintenance and saves the cost. Easy maintenance.

### External Mechanical Tension Control

Strap tension can be easily and accurately set with the dial in the front of the machine. Easy operation.

### Multiple Methods of Cycle Initiation

The machine can be operated by several methods, such as foot pedal switch, start switch, or ball activated table switch. Easy operation.

### Affordable Choice for Every Budget

The very competitive price does not come at expense of quality.

## Options

- Short feed sensor
- Smoke exhaust system with carbon filter
- Table without free roller
- PU casters (2 free and 2 with brake)
- Stainless steel frame SUS 304 (TP-6000S)
- CE version (TP-6000CE, TP-6000CES)

## Arch Sizes

H \ W	650	850	1050	1250	1450	1650
400	✓	✓	✓	✓	✓	✓
600	✓	Ⓢ	✓	✓	✓	✓
800		✓	✓	✓	✓	✓
1000		✓	✓	✓	✓	✓
1200		✓	✓	✓	✓	✓

Ⓢ Standard size: 850 mm (W) x 600 mm (H)

- ✓ means available arch size
- More arch sizes are on request

## Technical Data

<b>Capacity</b>	Up to 27 cycles/minute
<b>Strap Width</b>	8 mm, 9 mm, 12 mm, or 15.5 mm
<b>Tension Range</b>	10 - 70 kg (CE version: up to 45 kg)
<b>Weight</b>	220 kg
<b>Electrical Requirements</b>	110V, 220V, 230V, 240V 50/60Hz 1PH 220V, 380V, 400V, 415V 50/60Hz 3PH

# Offer the Maximum Value with the Minimum Cost.

---

## Always More than You Expect.

